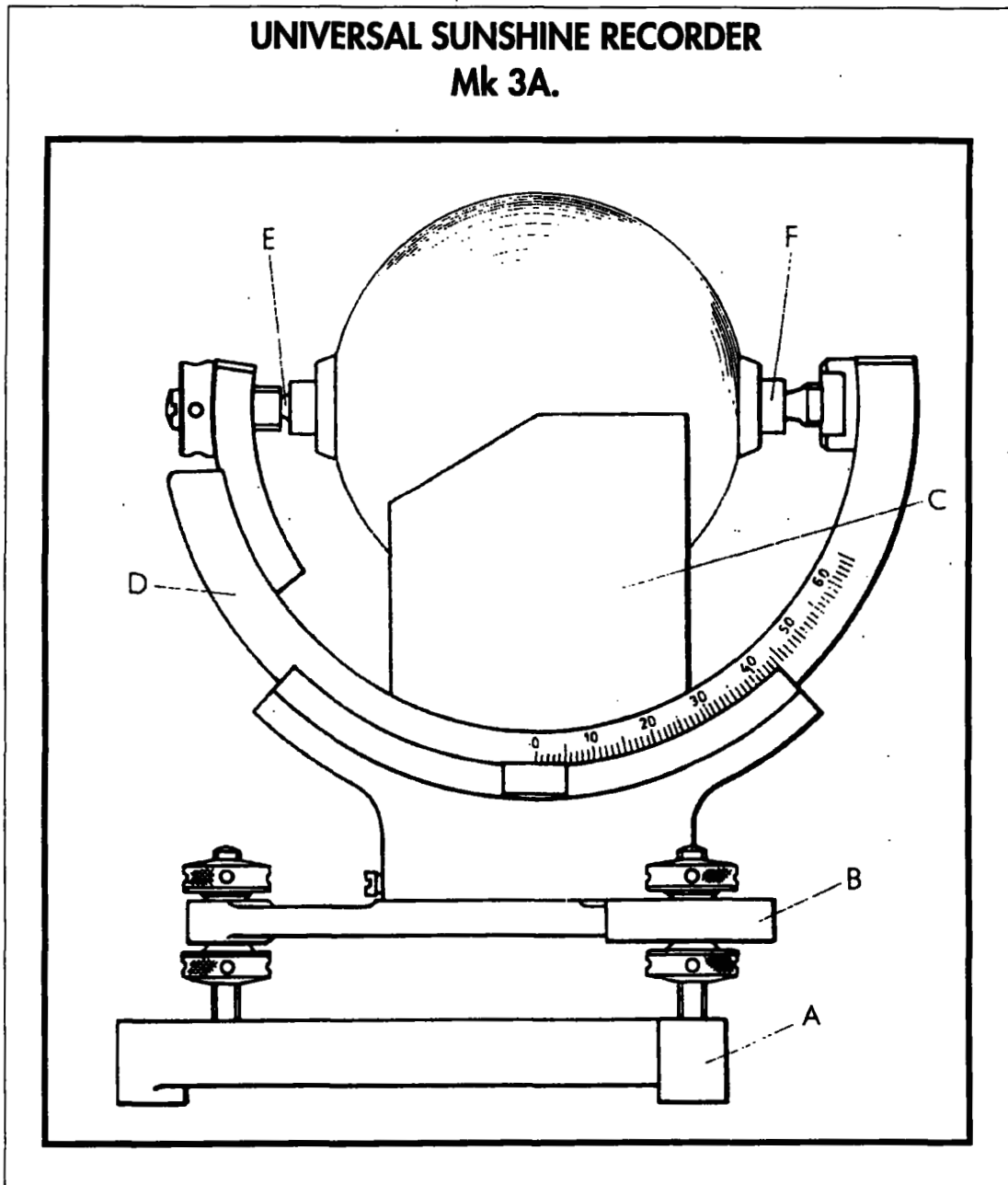




OPERATION OF THE WORLD WEATHER WATCH AND MARINE METEOROLOGICAL SERVICES

Volume 1993 — No. 10

**UNIVERSAL SUNSHINE RECORDER
Mk 3A.**



Cover picture: The Universal sunshine recorder Mk 3: The Universal sunshine recorder is of the Campbell-Stokes type and is available in three versions. The Mk 3A (as shown on the front cover) is for use in latitudes 0° to 40°. It has a gun-metal base (A), provided with three legs, drilled to take screws for fixing purposes. Carried on the main base is a sub-base (B) consisting of a triangular gun-metal plate which in turn carries the bowl mounting. The sub-base has three adjusting screws so that it can be levelled accurately and provision is made for small adjustments of the sub-base azimuth relative to the main base. The bowl (C) is in the form of one half of a belt cut from a hollow gun-metal sphere.

The sphere support is in the form of a semicircular gun-metal arc (D) provided with an extension to allow two arcs to be made from one casting. A capstan-headed screw clamps the arc to its support and allows a range of movement from 0° to 65°. This movement is divided into two equal portions, the change from one portion to the other being made by inserting the screw in one of two holes. One side of the arc support bears an index mark to indicate the latitude setting. At each end of the arc is fitted a brass screw, one of which fits over a ball-ended boss (E) and the other into a cup-shaped boss (F) fitted on to the sphere at opposite ends of a diameter.

"Handbook of Meteorological Instruments" — HMSO

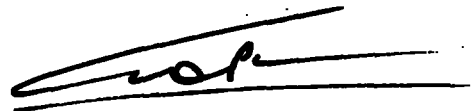
The WMO Secretariat would like to express its appreciation to all those who have contributed material to the "OPERATIONAL NEWSLETTER."

FOREWORD

As you are aware, all the information on changes to the operation of the World Weather Watch (WWW) and Marine Meteorological Services (MMS) is being assembled and distributed by the Secretariat on a monthly basis to facilitate updating and follow-up action. In this connection we have created the "OPERATIONAL NEWSLETTER" to provide you with the latest operational information on WWW and MMS.

The CBS Advisory Working Group recommended that a special table should be added to the "OPERATIONAL NEWSLETTER" to report changes of the present status of implementation of observing programmes of SYNOP, TEMP and PILOT reporting stations. You will note, therefore, that an item, 'Feed-back from Members to the Secretariat on any changes in the observing network' has been added to Annex I - Global Observing System.

Your co-operation in ensuring that the above information reaches the appropriate operational units of your service is greatly appreciated.



(G.O.P. Obasi)
Secretary-General

FOREWORDiii

◆ ANNEX I — GLOBAL OBSERVING SYSTEM

A. Information on operational status of elements1
 3. *Guidance material on instruments and observing methods1*
C. Information on operational status of elements1-24
of the surface-based sub-system
 1. *Publication No. 9, Volume A - Stations1*
 1.5 Temporary changes.....1
 4. *Automatic marine stations1-6*
 4.2 United States of America1-4
 4.2.1 Moored Buoys.....2-3
 4.2.2 Drifting Buoys.....5
 4.3 France.....4-5
 4.3.2 Drifting Buoys.....5
 4.4 Additional information on stations using DRIFTER code6
 5. *ARGOS service6-23*
 5.1 ARGOS monthly status report6-23
 8. *Feed-back from Members to the Secretariat on any24*
changes in the observing network
 • Special table.....Appendix 1
 • Explanatory Notes.....Appendix 2

◆ ANNEX III — GLOBAL TELECOMMUNICATION SYSTEM

A. GTS Regulatory or guidance material1
 3. *Amendments to the Manual on the Global Telecommunications System1*
C. Information on the operation of the GTS1
 1. *Catalogue of Meteorological Bulletins (Publications No. 9, Volume C, Chapter I)1*
 1.3 Changes to bulletins.....1

◆ ANNEX IV — CODES

B. Manual on Codes.....1
 1. *Global practices1*
 1.3 Changes to codes1

◆ ANNEX V — MARINE METEOROLOGICAL SERVICES
 (MMS) AND RELATED OCEANOGRAPHIC ACTIVITIES

C. Information on the operation of Marine Meteorological Services1
 1. *Broadcasts for shipping and other marine activities (Publication No. 9,1*
Volume D, Part A
 1.3 Changes in schedules/technical specifications.....1

A. GOS REGULATORY OR GUIDANCE MATERIAL

3. Guidance material on instruments and observing methods

•Notification from the USA

That all National Weather Service operational MicroART upper-air stations will install a new version of MicroART software, 1.52 on 1 September 1993. The new version will be operational on the 00 UTC sounding.

Summary of software changes:

- i. Change of the constant used in the calculation of geopotential heights, at times referred to as the "gravity constant," from 9.8 meters per second squared to 9.80665 meters per second squared. This will have an effect on the geopotential heights calculations. Future retrospective users of upper-air data will have to contend with this change.
- ii. The replacement of the 1.2 megohm parallel resistor value in the VIZ relative humidity equation with a corrected 1.0 megohm value, which affects only the higher humidities. This change will again introduce a discontinuity in the climatological record for VIZ sonde soundings for the period September 1988 through August 1993.
- iii. Relative humidity cutoffs below 20 percent and -40 degrees Celsius will be eliminated. The practice of cutoff of the dew point depression when the temperature reaches -40 degrees Celsius is being changed for the first time. The practice of truncating relative humidity below 20 percent began in April 1973 and continued through August 1993.

C. INFORMATION ON OPERATIONAL STATUS OF ELEMENTS OF THE SURFACE-BASED SUB-SYSTEM

1. Publication No. 9, Volume A - Stations

1.5 Temporary changes

•Notification from Portugal

That for technical reasons and lack of equipment as from 29 October 1993 and until further notice, radiosonde observations are being discontinued at stations:

08522 Funchal and
08579 Lisboa/Gago Coutinho.

4.2 United States of America

List of U.S.A. Ocean Data Acquisition System (ODAS) included in the October 1993 Data Platform Status Report of the Data Buoy Centre of the National Oceanic and Atmospheric Administration (NOAA). Data from moored buoys and platforms are collected by geostationary meteorological satellites and reports are distributed on the GTS in SHIP code. Data from drifting buoys are collected by the ARGOS system and distributed on the GTS in DRIFTER code.

Legend - Observed or technical parameters

<u>Column</u>	<u>Parameters</u>	<u>Column</u>	<u>Parameters</u>
1	Wind direction and speed	5	Sea-surface temperature
2	Air temperature	6	Wave period and height
3	Air pressure	7	Wave spectra
4	Pressure tendency	8	Peak wind gust

ANNEX I - GLOBAL OBSERVING SYSTEM

C. Information on operational status of elements of the surface-based sub-system (*continued*)
 4. Automatic marine stations/ 4.2 United States of America (*continued*)

4.2.1 Moored Buoys

WMO buoy Identifier	ARGOS Identifier	Position: 14-21 October 1993		Observed or technical parameters							
		Latitude	Longitude	1	2	3	4	5	6	7	8
32302		18.0 S	85.1 W	X	X	X		X	X	X	
41001**		34.7 N	72.7 W	X	X	X		X	X	X	
41002**		32.3 N	75.2 W	X	X	X		X	X	X	
41004		32.5 N	79.1 W	X	X	X		X	X	X	
41006**		29.3 N	77.4 W	X	X	X		X	X	X	
41009		28.5 N	80.2 W	X	X	X		X	X	X	
41010		28.9 N	78.5 W	X	X	X		X	X	X	
41016		24.6 N	76.5 W	X	X	X		X	X	X	
42001**		25.9 N	89.7 W	X	X	X		X	X	X	
42002**		25.9 N	93.6 W	X	X	X		X	X	X	
42003**		25.9 N	85.9 W	X	X	X		X	X	X	
42007		30.1 N	88.8 W	X	X	X		X			
42019		27.9 N	95.0 W	X	X	X		X	X	X	
42020		27.0 N	96.5 W	X	X	X		X	X	X	
42025		24.9 N	80.4 W		X			X	X	X	
42035		29.2 N	94.4 W	X	X	X		X	X	X	
44004**		38.5 N	70.7 W	X	X	X		X	X	X	
44005**		42.6 N	68.6 W	X	X	X		X	X	X	
44007		43.5 N	70.1 W	X	X	X		X	X	X	
44008		40.5 N	69.4 W	X	X	X		X	X	X	
44009		38.5 N	74.7 W	X	X	X		X	X	X	
44011**		41.1 N	66.6 W	X	X	X		X	X	X	
44013		42.4 N	70.7 W	X	X	X		X	X	X	
44014		36.6 N	74.8 W	X	X	X		X	X	X	
44025		40.3 N	73.2 W	X	X	X		X	X	X	
45001**		48.0 N	87.8 W	X	X	X		X	X	X	
45002**		45.3 N	86.4 W	X	X	X		X	X	X	
45003**		45.3 N	82.7 W	X	X	X		X	X	X	
45004**		47.5 N	86.5 W	X	X	X		X	X	X	
45005**		41.7 N	82.4 W	X	X	X		X	X	X	
45006**		47.3 N	89.9 W	X	X	X		X	X	X	
45007**		42.7 N	87.1 W	X	X	X		X	X	X	
45008**		44.3 N	82.4 W	X	X	X		X	X	X	
45010		43.0 N	87.8 W	X	X	*		X	X	X	
46001**		56.3 N	148.2 W	X	X	X		X	X	X	
46002**		42.5 N	130.3 W	X	X	X		X	X	X	
46003**		51.9 N	155.9 W	X	X	X		X	X	X	
46005**		46.1 N	131.0 W	X	X	X		X	X	X	

** Base funded station of National Weather Service (NWS); however, all stations report data to NWS
 * Sensor/system failure

C. Information on operational status of elements of the surface-based sub-system (continued)
 4. Automatic marine stations/ 4.2 United States of America (continued)

4.2.1 Moored Buoys

WMO buoy Identifier	ARGOS Identifier	Position: 14-21 October 1993		Observed or technical parameters							
		Latitude	Longitude	1	2	3	4	5	6	7	8
46006**		40.9 N	137.5 W	X	X	X		X	X	X	
46012		37.4 N	122.7 W	X	X	X		X	X	X	
46013		38.2 N	123.3 W	X	X	X		X	X	X	
46014		39.2 N	124.0 W	X	X	X		X	X	X	
46022		40.7 N	124.5 W	X	X	X		X	X	X	
46023		34.3 N	120.7 W	X	X	X		X	X	X	
46025		33.7 N	119.1 W	X	X	X		X	*	*	
46026		37.7 N	122.7 W	X	X	X		X	X	X	
46027		41.9 N	124.4 W	X	X	X		X	X	X	
46028		35.8 N	121.9 W	X	X	X		X	X	X	
46029		46.2 N	124.2 W	X	X	X		X	X	X	
46030		40.4 N	124.5 W	X	X	X		X	X	X	
46035		57.0 N	177.7 W	X	X	X		X	X	X	
46041		47.4 N	124.5 W	X	X	X		X	X	X	
46042		36.8 N	122.4 W	X	X	X		*	X	X	
46045		33.8 N	118.4 W	X	X	X		X	X	X	
46050		44.6 N	124.5 W	X	X	X		X	X	X	
46051		34.5 N	120.7 W	*	•	•		*	*	*	
46053		34.2 N	119.8 W	X	X	X		X	X	X	
46054		34.3 N	120.4 W	X	X	X		X	X	X	
51001		23.4 N	162.3 W	X	X	X		X	X	X	
51002		17.2 N	157.8 W	X	X	X		X	X	X	
51003		19.2 N	160.8 W	X	X	X		X	X	X	
51004		17.4 N	152.5 W	X	X	X		X	X	X	
51026		21.4 N	157.0 W	X	X	X		X	X	X	
52009		13.7 N	144.7 E	X	*	X		X	X	X	

4.2.1 Drifting Buoys

WMO buoy Identifier	ARGOS Identifier	Position: 14-21 October 1993		Observed or technical parameters							
		Latitude	Longitude	1	2	3	4	5	6	7	8
17815	1965	53°S	063°E	.	X	X		X	.	.	.
32811	17170	39°S	104°W	.	*	X		X	.	.	.
32812	17171	20°S	106°W	.	X	X		X	.	.	.
32813	17172	30°S	098°W	.	X	X		X	.	.	.
32814	17161	34°S	107°W	.	X	X		X	.	.	.
33833	1974	33°S	013°W	.	X	X		X	.	.	.

** Base funded station of National Weather Service (NWS); however, all stations report data to NWS
 * Sensor/system failure

C. Information on operational status of elements of the surface-based sub-system (*continued*)
 4. Automatic marine stations/ 4.2 United States of America (*continued*)

4.2.1 *Drifting Buoys*

WMO buoy Identifier	ARGOS Identifier	Position: 14-21 October 1993		Observed or technical parameters							
		Latitude	Longitude	1	2	3	4	5	6	7	8
33834	1979	34°S	003°W	.	X	X		X	.	.	.
33838	17163	32°S	020°W	.	*	X		X	.	.	.
33839	17164	39°S	042°W	.	*	X		X	.	.	.
33840	17165	41°S	032°W	.	*	X		X	.	.	.
33841	17166	36°S	022°W	.	X	X		X	.	.	.
33842	17167	47°S	012°W	.	*	X		X	.	.	.
53823	5131	08°S	114°E	.	*	X		*	.	.	.
53824	1989	09°S	098°E	.	X	X		X	.	.	.
54801	1973	25°S	142°W	.	X	X		X	.	.	.
54802	1993	29°S	135°W	.	X	X		X	.	.	.
54804	1970	37°S	130°W	.	X	X		X	.	.	.
54844	17168	33°S	122°W	.	*	X		X	.	.	.
54846	1969	41°S	143°W	.	X	X		X	.	.	.
56801	5130	29°S	050°E	.	X	X		X	.	.	.
56802	5119	06°S	061°E	.	X	X		X	.	.	.
56803	1994	20°S	062°E	.	X	X		X	.	.	.

4.3 *France*

Data from drifting buoys are collected by the ARGOS system. They are distributed on the GTS in DRIFTER code, either from CLS/ARGOS in Toulouse (heading SSVX01 LFPW), or from the Centre de Météorologie Marine in Brest (headings SSVX51 and SSVX55 LFPW).

Legend - Observed or technical parameters

Column Parameters

- 1 Wind direction and speed
- 2 Air temperature
- 3 Air pressure
- 4 Pressure tendency
- 5 Sea-surface temperature

Column Parameters

- 6 Wave period and height
- 7 Wave spectra
- 8 Peak wind gust
- 9 Subsurface temperatures

* Sensor/system failure

ANNEX I - GLOBAL OBSERVING SYSTEM

C. Information on operational status of elements of the surface-based sub-system (continued)
 4. Automatic marine stations/ 4.3 France (continued)

4.3.2 Drifting Buoys

WMO buoy Identifier	ARGOS Identifier	Position: 13 October 1993		Observed or technical parameters								
		Latitude	Longitude	1	2	3	4	5	6	7	8	9
13531	15501	33°02'N	23°44'W	X	.	.	.	X	.	.	.	X
13532	15502	33°47'N	21°03'W	X	.	.	.	X	.	.	.	X
13533	15503	31°56'N	26°42'W	X	.	X	.	X	.	.	.	X
13534	15504	34°43'N	23°38'W	X	.	X	.	X	.	.	.	X
13535	15505	33°35'N	21°46'W	X	.	X	.	X	.	.	.	X
13538	15508	33°51'N	22°25'W	X	.	.	.	X	.	.	.	X
13539	15509	34°11'N	21°46'W	X	.	.	.	X	.	.	.	X
13540	15510	34°57'N	22°37'W	X	.	.	.	X	.	.	.	X
13541	15511	34°37'N	21°20'W	X	.	.	.	X	.	.	.	X
13542	15512	32°43'N	25°29'W	X	.	.	.	X	.	.	.	X
13543	15513	35°20'N	24°07'W	X	.	.	.	X	.	.	.	X
13544	15514	33°08'N	22°09'W	X	.	.	.	X	.	.	.	X
13548	15518	32°44'N	24°56'W	X	.	.	.	X	.	.	.	X
13552	15522	32°19'N	24°28'W	X	.	.	.	X	.	.	.	X
13553	15523	35°15'N	22°38'W	X	.	.	.	X	.	.	.	X
13555	15525	32°05'N	23°08'W	X	.	.	.	X	.	.	.	X
13556	15526	33°11'N	22°14'W	X	.	X	.	X	.	.	.	X
13557	15527	33°40'N	24°14'W	X	.	.	.	X	.	.	.	X
13559	15529	33°36'N	22°09'W	X	.	.	.	X	.	.	.	X
13560	15530	34°02'N	24°37'W	X	.	.	.	X	.	.	.	X
13561	15531	31°58'N	21°00'W	X	.	X	.	X	.	.	.	X
13562	15532	35°39'N	21°32'W	X	.	X	.	X	.	.	.	X
13564	15534	34°02'N	25°08'W	.	.	X	.	X	.	.	.	X
62501	10116	45°50'N	12°51'W	.	.	X
62514	01356	45°05'N	14°41'W	.	.	X	.	X
62516	10107	44°39'N	12°19'W	.	.	*	*	*
62518	10113	39°49'N	12°12'W	X	.	X	.	X
62519	10112	45°49'N	12°02'W	.	.	X	X	X
62520	10114	48°14'N	13°55'W	X	.	X	.	X

* Failure or retrieved

C. Information on operational status of elements of the surface-based sub-system (*continued*)
 4. Automatic marine stations

4.4 Additional information on stations using DRIFTER code

• Notification from Japan

That the Maritime Safety Agency (MSA) has decided to disseminate DRIFTER data from the following five drifting buoys equipped with sea-surface temperature sensors through GTS:

ARGOS Identifier	WMO		Time of release	Position of release	Position: as of 31 August 1993
	Identifier	Area			
02222	21081	Area 21	12 August 1992	32°N, 155°E	30°N, 151°E
02216	21082	Area 21	13 August 1992	32°N, 158°E	28°N, 160°E
02209	21083	Area 21	7 September 1992	32°N, 171°E	25°N, 156°E
02211	21084	Area 21	7 September 1992	32°N, 172°E	32°N, 163°E
02231	21085	Area 21	7 September 1992	32°N, 173°E	25°N, 173°E

Furthermore, the Maritime Safety Agency is planning to deploy five drifting buoys equipped with sea-surface temperature sensors, whose DRIFTER data will also be put onto GTS. The positions of release are to be as follows:

ARGOS Identifier	WMO		Time of release	Position of release
	Identifier	Area		
17269	21086	Area 21	October 1993	30°N, 155°E
17270	21087	Area 21	October 1993	30°N, 160°E
17271	21088	Area 21	October 1993	30°N, 170°E
17272	21089	Area 21	October 1993	30°N, 175°E
17273	21090	Area 21	October 1993	30°N, 180°E

5. ARGOS Service

5.1 ARGOS monthly status report

Date of statistics computation : 1 October 1993

- Reports handled by ARGOS Service (list of monthly collected ARGOS platforms sorted by type of platform)

Drifting Buoy	:	1075
Boat(<20knots)	:	0
Marine Station	:	7
Moored Buoy	:	290
Terrestrial Animal	:	129
Marine Animal	:	92
Balloons	:	4
Birds	:	71
Fixed Station	:	401
TOTAL		: 2069

ANNEX I - GLOBAL OBSERVING SYSTEM

C. Information on operational status of elements of the surface-based sub-system (continued)

5. ARGOS Service / 5.1 ARGOS monthly status report (continued)

- Reports for insertion into the GTS (list of monthly collected GTS platforms on every GTS site sorted by type of platform)

Transmission to RTH Paris:

Drifting Buoys	:	105
Fixed Stations	:	7
Marine Stations	:	4
Moored Buoys	:	4
Synoptic PTT		1

Transmission to NWS Washington:

Drifting Buoys	:	480
Fixed Stations	:	4
High Speed	:	3
Moored Buoys	:	52

- List of platforms reporting through ARGOS and distributed over the GTS: (continued)

Column	Explanation	Legend	Column	Explanation
CODE	B BATHY		NB_MESS:	Total No. of messages distributed on GTS
(GTS code used):	D DRIFTER		REJECTED:	Total No. of messages rejected by QC procedures and not distributed on GTS
	H HYDRA		EXIST:	Y still on GTS
	P SHIP			N no longer on GTS
	S SYNOP			
	T TESAC			
	U BUFR			

Operating Country	WMO Identifier	ARGOS Identifier	CODE (GTS code used)							NB_MESS							RE-JECTED	EXIST	
			B	D	H	P	S	T	U	B	D	H	P	S	T	U		Y	N
Australia	00004	09196								0							102		N
	23066	06151		D						262							4		N
	52621	02937		D						250							10		N
	55513	00421		D						317							9		N
	55515	00415		D						290							9		N
	55516	00417		D						260							11		N
	55517	00413		D						37							0		N
	55520	03042		D						329							15		N
	56003	03101		D						392							59		N
	56504	08036		D						293							23		N
	56506	04875		D						230							29		N
	56507	04876		D						325							17		N
	56509	02938		D						403							25		N
	56510	02939		D						345							29		N
	56511	02942		D						393							36		N
	56512	02944		D						254							9		N

ANNEX I - GLOBAL OBSERVING SYSTEM

C. Information on operational status of elements of the surface-based sub-system (continued) 5. ARGOS Service / 5.1 ARGOS monthly status report (continued)

- List of platforms reporting through ARGOS and distributed over the GTS: (continued)

Operating Country	WMO Identifier	ARGOS Identifier	CODE (GTS code used)							NB_MESS							RE-JECTED	EXIST			
			B	D	H	P	S	T	U	B	D	H	P	S	T	U		Y	N		
	56513	04878		D									258						9		N
	VJDI*	09188	B																		
	GYSA*	09189	B																		
	9VUU*	09190	B																		
	VJBQ*	09192	B																		
	S6FK*	09193	B																		
	9VBZ*	09194	B																		
	9WMM*	09196	B																		
	GYRW*	09197	B																		
	VJDP*	09198	B																		
Canada	21551	01333		D									819						30		N
	42606	07183											0						962		N
	44137	05579											0						545		N
	44138	05577											0						605		N
	44139	03448											0						598		N
	44141	03449											0						585		N
	44142	05578											0						579		N
	45138	08249											0						232		N
	46004	07180											0						864		N
	46036	05324											0						801		N
	46184	07182											0						1		N
	46204	07197											0						56		N
	46205	07196											0						757		N
	46207	07187											0						772		N
	46208	07186											0						962		N
Finland	71091	05895		D									691						94		N
	89014	01384					S								228				316		N
France	22222	17986		D									2						2		N
	52577	17624											0						138		N
	52580	17619											0						204		N
	52581	17620		D									45						367		N
	52584	17626		D									10						82		N
	52889	02678		D									137						219		N
	52890	02679		D									235						187		N
	62516	10107		D									267						51		N
	62517	10108		D									124						106		N
	62518	10113		D									390						47		N
	62519	10112		D									25						6		N
	62520	10114		D									24						4		N
	FNOM*	04701	B																		
	HPEW*	04703	B																		

* PTT's transmitting at irregular intervals

ANNEX I - GLOBAL OBSERVING SYSTEM

C. Information on operational status of elements of the surface-based sub-system (continued)
5. ARGOS Service / 5.1 ARGOS monthly status report (continued)

- List of platforms reporting through ARGOS and distributed over the GTS: (continued)

Operating Country	WMO Identifier	ARGOS Identifier	CODE (GTS code used)							NB_MESS							RE-JECTED	EXIST	
			B	D	H	P	S	T	U	B	D	H	P	S	T	U		Y	N
	ELIS 8*	04705	B																
	FNZQ*	04711	B																
	ZDAZ6*	04714	B																
	ELIL9*	04719	B																
	FNWC*	04722	B																
	FNZP*	04723	B																
	P3LK3*	04726	B																
	FNDK*	08748	B																
	DIDA*	08749	B																
Germany	63662	09360		D							709							273	N
	63663	09372		D							899							283	N
	63664	03311		D							511							50	N
	63665	03312		D							518							50	N
	71042	03317		D							647							78	Y
	71524	03315		D							754							1	Y
	71551	09357		D							599							11	N
	71554	09366		D							442							65	N
	71556	09368		D							432							44	N
	71557	09369		D							441							61	N
	89214	03317						S						73				6	N
	89258	03315						S						66				0	N
Italy	63904	15919		D							319							46	N
	63906	15906		D							154							45	N
	63907	15917		D							452							97	N
	63909	05589		D							60							49	N
	63911	02464		D							274							71	N
	64149	15916		D							258							44	N
	64629	15902		D							378							34	N
	64631	15904		D							328							38	N
	64634	15912		D							266							21	N
	64635	15915		D							124							44	N
	64638	15893		D							361							33	N
	64639	15895		D							207							73	N
	64642	15899		D							365							39	N
	64645	15909		D							264							87	N
	64648	15914		D							172							56	N
	64652	15921		D							384							56	N
	64901	02465		D							106							82	N
	64902	05581		D							123							71	N
	64903	20321									0							388	N
	64904	20323									0							116	N
	64905	20324									0							404	N

* PTT's transmitting at irregular intervals

ANNEX I - GLOBAL OBSERVING SYSTEM

C. Information on operational status of elements of the surface-based sub-system (continued)
 5. ARGOS Service / 5.1 ARGOS monthly status report (continued)

• List of platforms reporting through ARGOS and distributed over the GTS: (continued)

Operating Country	WMO Identifier	ARGOS Identifier	CODE (GTS code used)							NB_MESS							RE-JECTED	EXIST	
			B	D	H	P	S	T	U	B	D	H	P	S	T	U		Y	N
	64906	20326									0						299	N	
	64907	20328									0						229	N	
	64908	20329									0						364	N	
	64909	20333									0						254	N	
	64922	15925		D							226						30	N	
	64925	05583		D							38						160	N	
	64926	05588		D							9						56	N	
	64927	05585		D							112						149	N	
Japan	21512	03297		D							285						20	N	
	52541	03295		D							252						7	N	
	52542	03296		D							251						9	N	
Netherlands	65596	04271		D							884						4	N	
Norway	25011	03690		D							957						120	N	
	25012	03691		D							1053						195	N	
	25561	01556		D							1203						161	N	
	26532	01790		D							728						266	N	
	44613	03676		D							434						420	N	
	44760	03038									0						83	N	
	63006	09400		D							880						383	N	
	65562	04272		D							690						265	N	
	65591	06666									0						14	N	
	65597	04270		D							960						726	N	
	71003	09498		D							662						138	N	
	71004	09499									0						822	N	
	74002	09497		D							569						63	N	
New Zealand	55571	08587		D							308						24	N	
	55578	06437		D							287						14	N	
	55583	07179		D							312						18	N	
	55585	07177		D							190						24	N	
	55588	08585		D							360						31	N	
	55589	08586		D							249						18	N	
South Africa**	17554	00955		D							125						21	N	
	17557	00948		D							265						17	N	
	17560	00963		D							48						70	N	
	17568	00958		D							28						0	N	
	17569	00960		D							28						1	N	
	33021	09222		D							611						5	N	
Sweden	66501	05096									0						58	N	
	66502	05097									0						198	N	
United Kingdom	25013	04065		D							1010						204	N	
	44765	01255		D							408						40	N	

** The Government of the Republic of South Africa has been suspended by Resolution 38 (Cg-VII) from exercising its rights and enjoying its privileges as a Member of WMO

ANNEX I - GLOBAL OBSERVING SYSTEM

C. Information on operational status of elements of the surface-based sub-system (continued)
 5. ARGOS Service / 5.1 ARGOS monthly status report (continued)

• List of platforms reporting through ARGOS and distributed over the GTS: (continued)

Operating Country	WMO Identifier	ARGOS Identifier	CODE (GTS code used)							NB_MESS							RE-JECTED	EXIST							
			B	D	H	P	S	T	U	B	D	H	P	S	T	U		Y	N						
	44770	06287		D											809							47		N	
	44772	02960		D											955								13		N
	44773	04624		D											197								11		N
	44775	02962		D											500								1		N
	44777	01257		D											1303								216		N
	44778	01259		D											1611								308		N
	44779	01260		D											1363								253		N
	44780	04629		D											122								87		N
	62601	08336		D											402								42		N
	62694	02958		D											479								9		N
	62711	01258		D											977								0		N
	62712	01247		D											447								2121		N
	62713	01363		D											92								29		N
	62802	04627		D											139								113		N
	62805	06285		D											352								103		N
	64043	06270		D											1								29		N
United States of America	12501	03959		D											474								61		N
	12502	05259		D											498								37		N
	12503	05676		D											385								62		N
	12504	15385		D											260								28		N
	12505	15386		D											357								47		N
	12508	03951		D											86								33		N
	13504	06188													0								1		N
	13901	16271		D											32								70		N
	13902	00151		D											37								4		N
	13903	01763		D											133								14		N
	13904	14445		D											128								23		N
	13905	14447		D											118								21		N
	13906	05919		D											129								19		N
	13907	02876		D											42								5		N
	13908	16276		D											124								17		N
	13909	08598		D											152								13		N
	13911	14448		D											132								22		N
	13912	14439		D											125								21		N
	13913	01765		D											41								7		N
	13914	14452		D											131								20		N
	13915	14453		D											139								6		N
	13916	16282		D											125								18		N
	13917	01776		D											29								4		N
	13918	00462		D											36								11		N
	13919	14442		D											142								17		N
	13920	02403		D											36								5		N
	13921	02881		D											37								9		N

ANNEX I - GLOBAL OBSERVING SYSTEM

C. Information on operational status of elements of the surface-based sub-system (continued)
 5. ARGOS Service / 5.1 ARGOS monthly status report (continued)

• List of platforms reporting through ARGOS and distributed over the GTS: (continued)

Operating Country	WMO Identifier	ARGOS Identifier	CODE (GTS code used)							NB_MESS							RE-JECTED	EXIST				
			B	D	H	P	S	T	U	B	D	H	P	S	T	U		Y	N			
	13922	02005		D																12	N	
	13923	02006		D																	14	N
	13924	14436		D																	28	N
	13925	14438		D																	15	N
	13926	02070		D																	16	N
	13927	16260		D																	11	N
	13928	16262		D																	10	N
	13929	16263		D																	4	N
	13930	16264		D																	6	N
	13931	16273		D																	5	N
	13932	16290		D																	7	N
	16810	12309		D																	87	N
	17815	01965		D																	44	N
	21434	15591																			1	N
	21438	02873																			2	N
	21440	02883																			1	N
	21526	01535		D																	486	N
	21534	05254		D																	116	N
	21572	01151		D																	494	N
	21901	15537		D																	184	N
	21902	15536		D																	99	N
	21903	14992		D																	24	N
	21904	14981		D																	167	N
	21910	16192		D																	90	N
	21912	16213		D																	13	N
	21913	16214																			0	N
	21915	15574		D																	171	N
	21918	16210		D																	270	N
	21920	15583		D																	161	N
	21923	14980		D																	10	N
	21924	15585		D																	53	N
	21925	02399		D																	192	N
	21926	15587		D																	3	N
	21927	16209		D																	231	N
	21928	16257		D																	132	N
	21930	02396		D																	70	N
	21931	02875		D																	164	N
	21932	02075		D																	86	N
	21933	15588		D																	116	N
	21934	15591		D																	122	N
	21938	02873		D																	139	N
	21939	02878		D																	124	N
	21940	02883		D																	115	N

ANNEX I - GLOBAL OBSERVING SYSTEM

C. Information on operational status of elements of the surface-based sub-system (continued)
 5. ARGOS Service / 5.1 ARGOS monthly status report (continued)

• List of platforms reporting through ARGOS and distributed over the GTS: (continued)

Operating Country	WMO Identifier	ARGOS Identifier	CODE (GTS code used)							NB_MESS							RE-JECTED	EXIST						
			B	D	H	P	S	T	U	B	D	H	P	S	T	U		Y	N					
	22901	00527		D											75						6		N	
	22902	14977		D											84							8		N
	22903	00528		D											80							3		N
	23511	05399		D											212							42		N
	23512	05401		D											151							35		N
	23514	05403		D											6							67		N
	23516	05405		D											169							11		N
	23517	05406		D											249							17		N
	23561	00940						S									777					756		N
	25537	08354		D											658							36		N
	25538	08356		D											704							42		N
	25539	08357		D											720							78		N
	25541	08363		D											757							64		N
	32513	11917		D											36							14		N
	32514	11948		D											3							22		N
	32515	15648		D											80							6		N
	32518	15091		D											88							13		N
	32520	15649		D											92							4		N
	32522	15598		D											89							5		N
	32523	16254		D											82							6		N
	32524	15695		D											88							1		N
	32525	11953													0							25		N
	32527	02398		D											73							8		N
	32528	03048		D											89							8		N
	32529	15028		D											87							6		N
	32531	00153													0							57		N
	32532	00473		D											62							11		N
	32533	15017		D											86							13		N
	32534	15018		D											86							5		N
	32535	15025		D											85							8		N
	32536	15026		D											64							20		N
	32538	15602		D											33							2		N
	32539	02884		D											65							13		N
	32540	08879		D											82							10		N
	32541	15595		D											82							10		N
	32543	03567		D											60							8		N
	32544	05912		D											79							7		N
	32545	15679		D											81							14		N
	32546	02885		D											75							12		N
	32547	15597		D											86							8		N
	32550	04200		D											40							42		N
	32551	15600		D											80							5		N
	32552	11195		D											83							12		N

ANNEX I - GLOBAL OBSERVING SYSTEM

C. Information on operational status of elements of the surface-based sub-system (continued) 5. ARGOS Service / 5.1 ARGOS monthly status report (continued)

• List of platforms reporting through ARGOS and distributed over the GTS: (continued)

Operating Country	WMO Identifier	ARGOS Identifier	CODE (GTS code used)							NB_MESS							RE-JECTED	EXIST						
			B	D	H	P	S	T	U	B	D	H	P	S	T	U		Y	N					
	32553	15603		D											92						6		N	
	32554	04201		D											47							17		N
	32555	15625		D											86							8		N
	32556	11934		D											23							30		N
	32557	15626		D											95							5		N
	32558	09276		D											97							3		N
	32559	15627		D											91							9		N
	32560	03252		D											72							16		N
	32801	08874		D											61							7		N
	32802	16278		D											80							8		N
	32803	16284		D											96							6		N
	32804	02899		D											84							11		N
	32805	16261		D											79							8		N
	32806	00154		D											77							10		N
	32807	02871		D											67							11		N
	32808	01770		D											18							2		N
	32809	01777		D											13							6		N
	32810	02395		D											23							0		N
	32811	17170		D											318							14		N
	32812	17171		D											246							13		N
	32813	17172		D											280							11		N
	32814	17161		D											287							17		N
	32866	02400		D											63							14		N
	32867	02872		D											76							8		N
	32868	02896		D											77							11		N
	32869	16252		D											67							10		N
	32870	02877		D											20							0		N
	32901	03565		D											64							8		N
	32902	15045		D											84							8		N
	32903	15050		D											89							7		N
	32904	15128		D											98							3		N
	32905	15684		D											62							10		N
	32906	15685		D											88							2		N
	32907	03044		D											84							6		N
	32908	15687		D											79							10		N
	32909	04204		D											64							22		N
	32910	15540		D											94							4		N
	32911	15541		D											78							3		N
	32912	15542		D											33							4		N
	32913	15546		D											80							5		N
	32914	03568		D											66							24		N
	32915	15048		D											79							6		N
	32916	15545		D											89							10		N

ANNEX I - GLOBAL OBSERVING SYSTEM

C. Information on operational status of elements of the surface-based sub-system (continued)
5. ARGOS Service / 5.1 ARGOS monthly status report (continued)

• List of platforms reporting through ARGOS and distributed over the GTS: (continued)

Operating Country	WMO Identifier	ARGOS Identifier	CODE (GTS code used)							NB_MESS							RE-JECTED	EXIST						
			B	D	H	P	S	T	U	B	D	H	P	S	T	U		Y	N					
	32917	00474		D											46						26		N	
	32918	00483		D											48							6		N
	32919	16272		D											74							7		N
	32920	16275		D											72							8		N
	33833	01974		D											159							153		N
	33834	01979		D											286							21		N
	33838	17163		D											295							16		N
	33839	17164		D											312							10		N
	33840	17165		D											350							17		N
	33841	17166		D											318							13		N
	33842	17167		D											395							32		N
	34901	15123		D											82							13		N
	34902	15125		D											67							9		N
	41504	03957		D											30							53		N
	41521	05094		D											1							51		N
	41522	01125		D											472							37		N
	41523	01128		D											397							65		N
	41525	00942						S										6				0		N
	41901	12326		D											102							23		N
	41902	08594		D											80							35		N
	41904	08599		D											122							37		N
	41906	12333		D											122							19		N
	41907	12329		D											117							29		N
	41908	12339		D											122							18		N
	41909	00130		D											134							12		N
	41910	12324		D											120							24		N
	41911	12325		D											137							23		N
	41912	02008		D											138							11		N
	41913	12330		D											122							23		N
	41914	12334		D											127							15		N
	41915	12328		D											126							20		N
	41916	12327		D											58							16		N
	41917	12337		D											129							15		N
	41918	12338		D											127							24		N
	41920	00464		D											124							22		N
	41921	03045		D											141							15		N
	41922	00468		D											110							31		N
	41923	00482		D											104							11		N
	41924	00484		D											136							19		N
	41925	00465		D											127							21		N
	41926	16266		D											125							19		N
	42026	00937		D											211							97		N
	42027	00930		D											35							8		N

ANNEX I - GLOBAL OBSERVING SYSTEM

C. Information on operational status of elements of the surface-based sub-system (continued)
 5. ARGOS Service / 5.1 ARGOS monthly status report (continued)

• List of platforms reporting through ARGOS and distributed over the GTS: (continued)

Operating Country	WMO Identifier	ARGOS Identifier	CODE (GTS code used)							NB_MESS							RE-JECTED	EXIST								
			B	D	H	P	S	T	U	B	D	H	P	S	T	U		Y	N							
	42028	00931		D													269							94	N	
	42030	00932		D														235							99	N
	42502	06935		D														209							112	N
	42503	06937		D														281							65	N
	42504	06938		D														363							24	N
	42509	02448		D														247							123	N
	42512	11848		D														206							84	N
	43501	00451		D														111							35	N
	43504	11198		D														37							12	N
	43505	15657		D														118							20	N
	43508	15008		D														111							21	N
	43801	16287		D														68							11	N
	44501	02607		D														712							74	N
	44502	02587		D														350							150	N
	44503	02576		D														545							94	N
	44510	02585		D														604							74	N
	44511	02580		D														295							187	N
	44512	02584		D														614							76	N
	44513	14633		D														691							120	N
	44515	05524		D														613							100	N
	44901	00486		D														132							15	N
	44902	00131		D														68							25	N
	44903	00156		D														38							18	N
	44904	00157		D														112							34	N
	44905	12335		D														104							29	N
	44906	12332		D														133							22	N
	44907	00475		D														198							43	N
	44908	01867		D														136							8	N
	44909	00155		D														148							37	N
	44910	16219		D														144							16	N
	44911	00466		D														168							42	N
	44912	16217		D														178							27	N
	44913	00132		D														67							22	N
	44914	03282		D														72							16	N
	46213	12404		D														96							48	N
	46214	12405		D														22							28	N
	46215	12406		D														108							70	N
	46217	12408		D														140							50	N
	46218	12409		D														118							51	N
	46219	12410		D														123							51	N
	46509	04649		D														549							142	N
	46512	01148		D														537							77	N
	46513	15380		D														460							65	N

ANNEX I - GLOBAL OBSERVING SYSTEM

C. Information on operational status of elements of the surface-based sub-system (continued)
5. ARGOS Service / 5.1 ARGOS monthly status report (continued)

• List of platforms reporting through ARGOS and distributed over the GTS: (continued)

Operating Country	WMO Identifier	ARGOS Identifier	CODE (GTS code used)							NB_MESS							RE-JECTED	EXIST			
			B	D	H	P	S	T	U	B	D	H	P	S	T	U		Y	N		
	46514	15381		D										431						77	N
	46523	15384		D										446						103	N
	46531	15576		D										127						52	N
	46535	02009		D										43						71	N
	46536	15609		D										71						31	N
	46537	15612		D										81						25	N
	46538	15579		D										122						56	N
	46539	15622		D										148						38	N
	46540	15577		D										129						55	N
	46545	15589		D										169						37	N
	46548	15580		D										190						28	N
	46549	15076		D										117						34	N
	46550	01135												0						1	N
	46901	15655		D										51						52	N
	46903	15566		D										141						46	N
	46904	15573		D										231						19	N
	46906	15582		D										16						19	N
	46907	15578		D										135						42	N
	46908	02889		D										36						15	N
	46909	01766		D										227						31	N
	46912	17233		D										108						12	N
	47601	12823		D										768						81	N
	48518	08361		D										664						31	N
	48557	08364		D										759						77	N
	48558	12821		D										637						78	N
	48559	12822		D										677						101	N
	48561	08365		D										791						61	N
	48562	12826		D										779						71	N
	48564	12828		D										772						73	N
	48565	12829		D										746						94	N
	51511	03376		D										83						18	N
	51512	15089		D										90						13	N
	51516	11949		D										35						15	N
	51518	15077		D										106						37	N
	51520	03117		D										27						25	N
	51801	14433		D										140						45	N
	51802	02434		D										32						10	N
	51803	03049		D										140						51	N
	51804	14434		D										158						34	N
	51805	01767		D										95						15	N
	51806	03378		D										65						6	N
	51807	03379		D										64						5	N
	51808	02435												0						3	N

ANNEX I - GLOBAL OBSERVING SYSTEM

C. Information on operational status of elements of the surface-based sub-system (continued)
5. ARGOS Service / 5.1 ARGOS monthly status report (continued)

- List of platforms reporting through ARGOS and distributed over the GTS: (continued)

Operating Country	WMO Identifier	ARGOS Identifier	CODE (GTS code used)							NB_MESS							RE-JECTED	EXIST						
			B	D	H	P	S	T	U	B	D	H	P	S	T	U		Y	N					
	51809	14435		D											150						43		N	
	51810	11956		D											70							16		N
	51811	15653		D											77							37		N
	51812	02895		D											92							13		N
	51814	11946		D											50							27		N
	51815	03222		D											44							24		N
	51816	01762		D											94							29		N
	51817	15617		D											91							58		N
	51818	03467		D											33							34		N
	51819	02898		D											67							15		N
	51820	03468		D											43							23		N
	51821	02397		D											88							14		N
	51822	03570		D											58							15		N
	51823	03223													0							13		N
	51824	02436		D											92							14		N
	51826	03119		D											55							23		N
	51827	03572		D											55							16		N
	51828	16279		D											73							18		N
	51829	01772		D											105							31		N
	51830	15088		D											100							13		N
	51831	02074		D											123							53		N
	51832	11955		D											54							21		N
	51833	16255		D											94							15		N
	51834	01779		D											82							18		N
	51835	09271		D											90							8		N
	51837	08876		D											92							5		N
	51838	08878		D											90							18		N
	51839	16256		D											88							6		N
	51840	15090		D											145							35		N
	51841	11950		D											95							15		N
	51843	03375		D											58							9		N
	51847	15027		D											79							12		N
	51848	15009		D											95							14		N
	51856	15082		D											88							14		N
	51861	15099		D											91							6		N
	51866	15644		D											67							70		N
	51867	15645		D											40							71		N
	51871	15646		D											89							11		N
	51878	15072													0							2		N
	51885	15086		D											158							44		N
	51901	15586		D											166							37		N
	51902	15671		D											117							15		N
	51905	15674		D											81							9		N

ANNEX I - GLOBAL OBSERVING SYSTEM

C. Information on operational status of elements of the surface-based sub-system (continued)
 5. ARGOS Service / 5.1 ARGOS monthly status report (continued)

• List of platforms reporting through ARGOS and distributed over the GTS: (continued)

Operating Country	WMO Identifier	ARGOS Identifier	CODE (GTS code used)							NB_MESS							RE-JECTED	EXIST							
			B	D	H	P	S	T	U	B	D	H	P	S	T	U		Y	N						
	52507	15394		D											68							2		N	
	52510	11939		D											34								28		N
	52511	16199		D											74								7		N
	52512	15023		D											92								8		N
	52515	16228		D											80								17		N
	52517	15390		D											58								6		N
	52521	04451		D											240								18		N
	52522	01143		D											249								24		N
	52523	01144		D											281								21		N
	52524	01145		D											56								11		N
	52525	04452		D											70								8		N
	52526	04453		D											250								17		N
	52527	04632		D											247								11		N
	52528	06195		D											71								4		N
	52529	06197		D											74								3		N
	52530	06198		D											70								3		N
	52531	06223		D											71								6		N
	52532	06233		D											71								0		N
	52616	15021		D											87								5		N
	52801	15035		D											39								9		N
	52802	01781		D											19								1		N
	52804	16202		D											86								5		N
	52805	15012		D											89								13		N
	52807	16232		D											85								11		N
	52810	15701		D											175								25		N
	52812	15126		D											48								3		N
	52815	15660		D											82								13		N
	52818	15670		D											86								13		N
	52826	15668													0								78		N
	52827	16200													0								92		N
	52828	15669		D											67								20		N
	52830	16196		D											67								15		N
	52831	16204		D											83								15		N
	52833	01215		D											79								16		N
	52834	16195		D											60								19		N
	52836	15549		D											86								11		N
	52837	16198		D											77								14		N
	52838	15556		D											89								11		N
	52839	16203		D											70								11		N
	52840	03046		D											89								7		N
	52841	16205		D											79								15		N
	52842	16253		D											87								6		N
	52843	15558		D											81								7		N

ANNEX I - GLOBAL OBSERVING SYSTEM

C. Information on operational status of elements of the surface-based sub-system (continued)
5. ARGOS Service / 5.1 ARGOS monthly status report (continued)

• List of platforms reporting through ARGOS and distributed over the GTS: (continued)

Operating Country	WMO Identifier	ARGOS Identifier	CODE (GTS code used)							NB_MESS							RE-JECTED	EXIST									
			B	D	H	P	S	T	U	B	D	H	P	S	T	U		Y	N								
	52845	15561		D														82							9	N	
	52846	15391		D															71							18	N
	52847	15392		D															81							19	N
	52848	15560		D															40							5	N
	52849	16211		D															78							8	N
	52850	16234		D															39							4	N
	52852	16239		D															81							14	N
	52853	00459		D															76							7	N
	52854	16235		D															83							10	N
	52855	16237		D															82							15	N
	52856	16241		D															74							11	N
	52858	16243		D															71							10	N
	52860	16245		D															85							5	N
	52862	16247		D															77							18	N
	52863	16248		D															66							16	N
	52864	16249		D															79							10	N
	52866	16227		D															70							14	N
	52867	16230		D															15							6	N
	52868	00460		D															80							14	N
	52872	11890		D															12							3	N
	52873	16231		D															80							17	N
	53502	06238		D															70							3	N
	53503	06239		D															77							3	N
	53504	06430		D															77							2	N
	53505	06431		D															74							5	N
	53506	06433		D															74							3	N
	53508	07246		D															74							6	N
	53510	07250		D															72							2	N
	53511	07251		D															71							2	N
	53512	07257		D															72							1	N
	53513	07259		D															71							2	N
	53514	07269		D															26							2	N
	53515	07538		D															71							1	N
	53823	05131		D															213							16	N
	53824	01989		D															242							14	N
	53901	14983		D															84							13	N
	54801	01973		D															267							20	N
	54802	01993		D															287							13	N
	54804	01970		D															298							17	N
	54844	17168		D															273							20	N
	54846	01969		D															174							163	N
	54901	15547		D															88							15	N
	54902	15115		D															88							14	N

ANNEX I - GLOBAL OBSERVING SYSTEM

C. Information on operational status of elements of the surface-based sub-system (continued)
5. ARGOS Service / 5.1 ARGOS monthly status report (continued)

- List of platforms reporting through ARGOS and distributed over the GTS: (continued)

Operating Country	WMO Identifier	ARGOS Identifier	CODE (GTS code used)							NB_MESS							RE-JECTED	EXIST		
			B	D	H	P	S	T	U	B	D	H	P	S	T	U		Y	N	
	54903	15118		D														10	N	
	54905	15024		D														5	N	
	54906	15539		D														8	N	
	54908	15129		D														15	N	
	54909	15120		D														9	N	
	54910	15033		D														9	N	
	54911	15036		D														8	N	
	54912	15101		D														15	N	
	54914	15119		D														20	N	
	54916	15630		D														8	N	
	54917	15631		D														5	N	
	54918	15632		D														13	N	
	54920	03047		D														6	N	
	54924	15693		D														9	N	
	54925	15694																0	34	N
	54927	15538		D														90	5	N
	54928	15692		D														12	18	N
	54929	15681		D														103	9	N
	54930	15690		D														30	5	N
	54931	15543		D														26	3	N
	54933	15544		D														94	7	N
	54934	01768		D														95	6	N
	55901	15557		D														88	11	N
	56801	05130		D														289	15	N
	56802	05119		D														246	11	N
	56803	01994		D														246	22	N
	61527	03749		D														32	148	N
	61530	03752		D														92	23	N
	61532	16376		D														3	19	N
	61535	15321		D														435	33	N
	61542	15356		D														80	14	N
	61543	15346		D														413	47	N
	62426	02078																2	0	N
	62673	06817		D														703	118	N
	62901	15569		D														137	20	N
	62903	15571		D														123	20	N
	62904	01862		D														205	39	N
	62905	16218		D														117	31	N
	62906	02076		D														144	29	N
	62907	08591		D														30	8	N
	62908	01868		D														127	22	N
	62909	01869		D														137	21	N
	62910	01865		D														4	37	N

ANNEX I - GLOBAL OBSERVING SYSTEM

C. Information on operational status of elements of the surface-based sub-system (continued)
5. ARGOS Service / 5.1 ARGOS monthly status report (continued)

• List of platforms reporting through ARGOS and distributed over the GTS: (continued)

Operating Country	WMO Identifier	ARGOS Identifier	CODE (GTS code used)							NB_MESS							RE-JECTED	EXIST				
			B	D	H	P	S	T	U	B	D	H	P	S	T	U		Y	N			
	62926	02078		D											173						36	N
	62928	02401		D											131						25	N
	62929	00159		D											64						16	N
	62931	00476		D											279						24	N
	62932	00160		D											75						15	N
	62933	00456		D											142						16	N
	62934	00453		D											131						44	N
	62935	00454		D											144						28	N
	62936	03280		D											157						31	N
	62937	16220		D											70						10	N
	64430	00455													2						0	N
	64431	00467													1						1	N
	64539	05521		D											835						196	N
	64540	05522		D											493						216	N
	64542	06639		D											727						124	N
	64543	14293		D											841						139	N
	64929	01860		D											269						64	N
	64930	00455		D											265						22	N
	64931	00467		D											278						44	N
	64932	02077		D											262						26	N
	65901	00488		D											62						14	N
	66506	05678		D											617						77	N
	66507	05679		D											578						82	N
	66508	05681		D											341						54	N
	66509	05683		D											529						116	N
	91251	12873		D											78						214	N
	91353	12872		D											75						205	N
	91355	12891		D											75						183	N
SUBTOTAL:			DRIFTER =		113671																	
			SYNOP =		1150																	
TOTAL:					114821																	

C. Information on operational status of elements of the surface-based sub-system (continued)
 5. ARGOS Service / 5.1 ARGOS monthly status report (continued)

•ATLAS buoys

WMO Identifier	ARGOS Identifier
23001	12522
32315	00994
32316	11117
32317	11118
32318	04592
32319	06518
32320	11121
32321	11120
32322	11119
43001	11116
51006	17636
51008	17646
51009	00989
51010	12526
51011	17647
51014	12527
51015	11114
51016	17648
51017	00992
51018	00991

WMO Identifier	ARGOS Identifier
51019	00786
51020	00988
51021	00993
51022	06460
51023	15811
51301	06380
51302	12523
51303	17635
52304	00789
51305	00788
51306	11115
51307	04595
51308	00990
51309	00792
51310	00790
52001	15813
52002	06794
52003	15815
52004	15809
52006	00773

WMO Identifier	ARGOS Identifier
52007	12529
52008	06795
52010	06798
52011	06473
52012	06517
52301	17650
52302	17649
52303	06520
52304	06475
52306	17651
52307	17652
52308	06521
52309	17634
52310	17633
52311	17632
52312	17631
52313	17630
52314	17653

• Other NDBC Buoys on GTS (processed same way as ATLAS Buoys)

WMO Identifier	ARGOS Identifier
17803	05571
46507	05567
51025	12878
54832	06585
54833	06586
54834	06583
9A222	12879
9A251	12873
9A328	12892
9A353	12872
9A355	12891

8. Feed-back from Members to the Secretariat on any changes in the observing network

In view of the difficulties experienced at present in identifying non-implemented observing stations or implemented stations which are closed or suspended for a certain period, or stations making observations but not reaching their NMCs, the ninth session of the CBS Advisory Working Group recommended that a special table be added to the WWW monthly "OPERATIONAL NEWSLETTER" to serve as feed-back from Members to the Secretariat on any changes of the present state of implementation of observing programmes of SYNOP, TEMP and PILOT reporting stations.

The special table, accompanied by explanatory notes (see Appendix, pages 1 and 2) is attached at the end of this annex. Members are urged to fill in this appendix, as and when appropriate, and to return it to the Secretariat before the 1st of each month to enable changes to be included in the next "OPERATIONAL NEWSLETTER".

Feed-back from members to the Secretariat on any changes in the observing network

(Explanatory Notes overleaf)

Global Exchange/Regional Exchange (delete as appropriate)

Country: _____

Appendix 1 (W/OIS) ● OPERATIONAL NEWSLETTER — October 1993

Station index number	Bulletin identification TTAAiiCCCC	Implementation of observing programme								Alternate observing station	Remarks
		00	03	06	09	12	15	18	21		
1. SYNOP											
2. TEMP											
3. PILOT											

ANNEX I — GLOBAL OBSERVING SYSTEM

EXPLANATORY NOTES**Feed-back from Members to the Secretariat
on any changes in the observing network**

1. Separate tables should be prepared for global exchange and regional exchange respectively. These tables should contain information concerning any changes of the present state of implementation of observing programmes of SYNOP, TEMP and PILOT reporting stations given in Attachment I-4 of the Manual on the GTS, Volume I for global exchange and, as applicable, Attachments AF-I, AI-1, SA-1, NA-1, PS-1 and EU-1 of the Manual on the GTS, Volume II for regional exchange.

2. For entries in these tables, the following should be taken into account:
 - (a) In the column "Station index number", the index number (Iiii) of each station should be entered in case of any changes in the observing programmes of the stations;
 - (b) In the column "Bulletin identification", the TTAAii CCCC of the abbreviated heading of the meteorological bulletins which contains reports from the station should be inserted;
 - (c) In the column "Implementation of observing programme", "X" for implementation and "-" for non-implementation should be inserted as appropriate. In order to easily identify changes in the programme, this should be marked in red;
 - (d) In the column "Alternate observing station", the index number (Iiii) of an alternate observing station should be inserted in case another station is available with a view to filling gaps which are caused by suspension of observing programmes of the original station;
 - (e) The required information concerning the observing programme of the alternate station should be inserted in the next horizontal line of the original station;
 - (f) In the column "Remarks", reasons of temporary suspension of observing programmes and an expected date of resumption of the programmes should be given as far as possible. Non-standard collection and/or distribution times should also be included.

3. These tables should be sent to the Secretariat before the 1st of the month for inclusion of the changes in the monthly "OPERATIONAL NEWSLETTER", as appropriate.

A. GTS REGULATORY OR GUIDANCE MATERIAL

3. Amendments to the Manual on the Global Telecommunication System

SEALEV messages

CBS X approved the use of the new code SEALEV on an experimental basis. The abbreviated headings allocated to SEALEV messages are the following:

T₁ = S (surface data)

T₂ = L (sea-level data)

A₁A₂ in compliance with Tables C1 of Attachment II-5 of the Manual on the GTS

C. INFORMATION ON THE OPERATION OF THE GTS

1. Catalogue of Meteorological Bulletins (Publication No. 9, Volume C, Chapter I)

1.3 Changes to bulletins

•Notification from France

That as from 30 October 1993 00 UTC RTH Toulouse will transmit on the GTS bulletins containing data from station 89642 Dumont d'Urville under the following new headings:

New heading	Previous Heading
SMAA01 LFPW	SMAA01 AMMC
SIAA21 LFPW	SIAA21 AMMC
USAA01 LFPW	USAA01 AMMC
UKAA01 LFPW	UKAA01 AMMC
ULAA01 LFPW	ULAA01 AMMC
UEAA01 LFPW	UEAA01 AMMC
CSAA01 LFPW	CSAA01 AMMC
CUAA01 LFPW	CUAA01 AMMC

B. MANUAL ON CODES**1. Global practices****1.3 Changes to codes**

Notification from the Secretariat that following recommendations of CBS-X and the approval by EC-XLV, the following changes will come into force on 3 November 1993:

- Rec. 8 (CBS-X): Amendment to FM 12-IX Ext. SYNOP and FM 13-IX Ext. SHIP codes.
These relate to additional supplementary groups for radiation data.
- Rec. 11 (CBS-X): Amendment to FM 88-VI Ext. SATOB.
These relate to a change in the date and time group to two groups with indication of method by which winds were measured: cloud movement or water vapour motion.

These changes are included in supplement No. 5 to the "*Manual on Codes - Volume I*" of July 1993.

◆ **ANNEX V- MARINE METEOROLOGICAL SERVICES (MMS)
AND RELATED OCEANOGRAPHIC ACTIVITIES**

C. INFORMATION ON THE OPERATION OF MARINE METEOROLOGICAL SERVICES

1. Broadcasts for shipping and other marine activities (Publication No. 9, Volume D, Part A)

1.3 *Changes in schedules/technical specifications*

•*Notification from Spain*

D-Ai-I Spain (Canary Islands) changes effective 6.10.93

D-Ai-VI Spain changes effective 6.10.93

TO NEW READERS:

IF YOU WOULD LIKE TO RECEIVE FUTURE ISSUES OF THE
"OPERATIONAL NEWSLETTER"
FREE OF CHARGE, PLEASE FILL IN DETAILS CLEARLY BELOW

"OPERATIONAL NEWSLETTER"

Kindly mail me future copies of the
"OPERATIONAL NEWSLETTER" (W/OIS) in

- English
- French
- Russian
- Spanish

Name:.....

Address:

.....
.....
.....
.....

Send the coupon to:

WORLD METEOROLOGICAL ORGANIZATION
SECRETARIAT
41, Giuseppe-Motta
Case postale N° 2300
CH - 1211 Geneva
Switzerland

Telephone: National (022) 730 81 11
International +41 22 730 81 11
Telegrammes: METEOMOND GENÈVE
Telex: 41 41 99 OMM CH
Facsimile : 41 22 734 23 26