

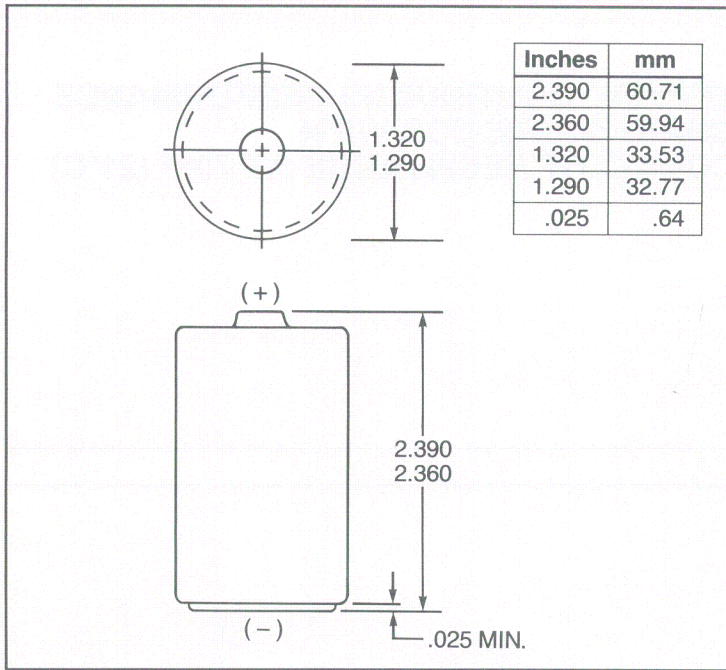
# DURACELL®

## MN1300

Size: D

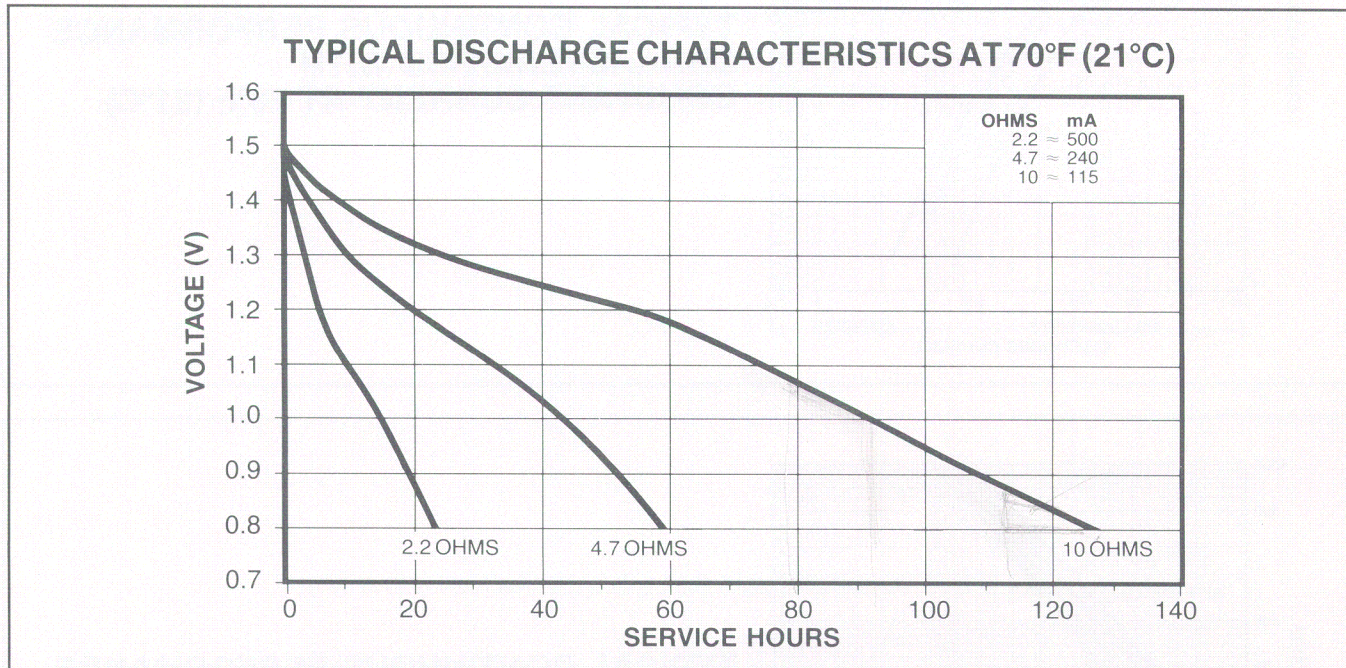
Zn/MnO<sub>2</sub>

### Alkaline-Manganese Dioxide Battery



#### SPECIFICATIONS

<b>Nominal Voltage:</b>	1.5 V
<b>Rated Capacity:</b>	14,000 mAh on 4.7 $\Omega$ to 0.8 V at 70°F (21°C)
<b>Average Weight:</b>	4.66 oz. (132.0 g)
<b>Volume:</b>	3.23 in. <sup>3</sup> (53.0 cm <sup>3</sup> )
<b>Terminals:</b>	Flat
<b>Operating Temp. Range:</b>	- 4°F to 130°F (- 20°C to 54°C)
<b>NEDA/ANSI:</b>	13 A
<b>IEC:</b>	LR20
<b>Military BA:</b>	BA-3030/U



#### DURACELL INC.

O.E.M. Technical Sales and Marketing  
Berkshire Industrial Park  
Bethel, CT 06801 U.S.A.  
Telephone: Toll-free 1-800-431-2656 (In CT, 203-791-3274)  
Telex: 697-2165 DURTSUW